



The Smartlift is easily transported in a van or on a trailer

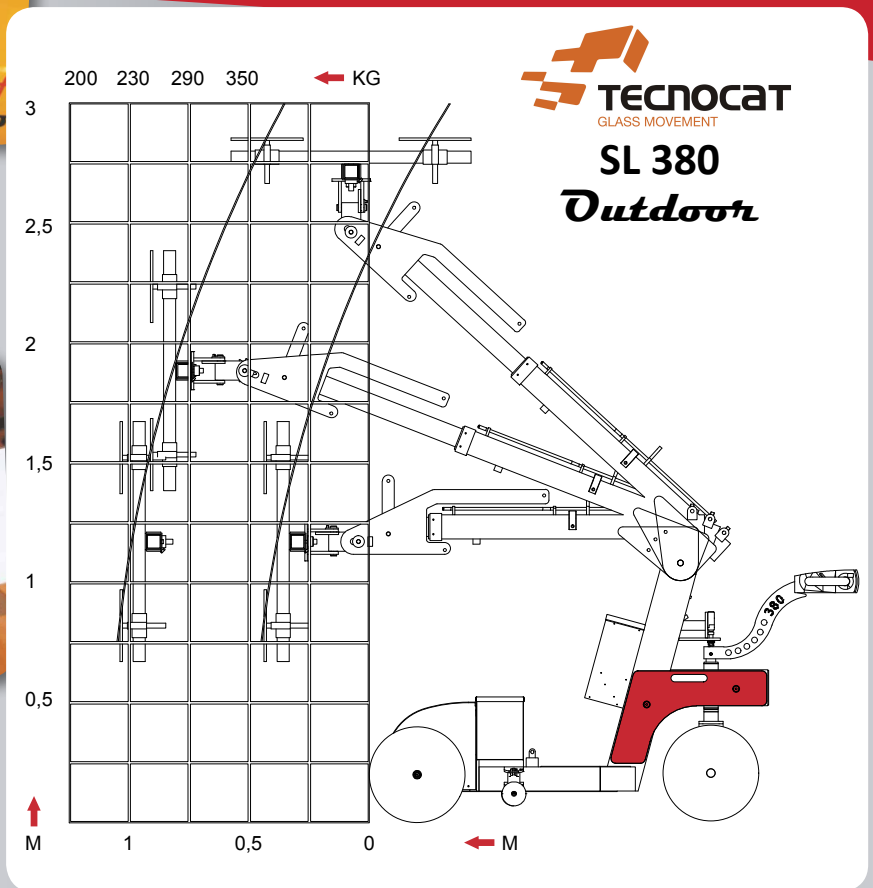
The SL 380 can be shifted sideways up to 100 mm for precision adjustment during the window installation process.



The SL 380 Outdoor is fitted for window and glass installation as standard, but can be supplied with a special device for lifting e.g. heavy fire doors and gates.



This Smartlift has a dual-circuit vacuum system for maximum safety. Vacuum circuits shown here with blue and red vacuum tubes.



Technical data

Description	Value
Weight	630 kg
Height	1350 mm
Width (min)	820 mm
Length (min)	2150 mm
Extension of arm	600 mm
Tip from horizontal	50° back/50° forward
Speedregulation	Stepless high/low
Sideshift	100 mm
Vacuum system	2 circuit
Lifting height	2770 mm
Chargingvoltage	230 volt
Integrated charger	Cetek XT 14000
Chargingtime	Approx 8 hours
Battery (2 x 12v) 24 volt	2 x 105 A
Runningperiod	Approx 30 hours
Front-wheel drive	1200 Watt - AC
Brake	Elektronic
Suction pads	4 unit Ø 300 mm
Automatic suction	2 vacuum pumps
Lifting capacity arm in/extended (600 mm)	380 kg/200 kg

