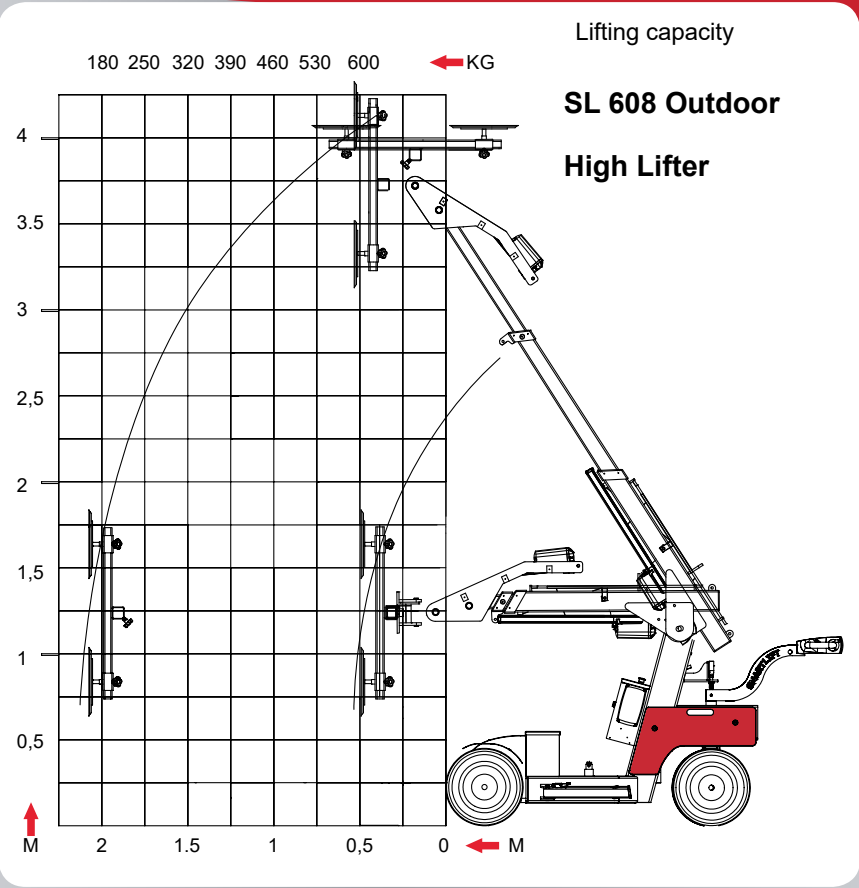
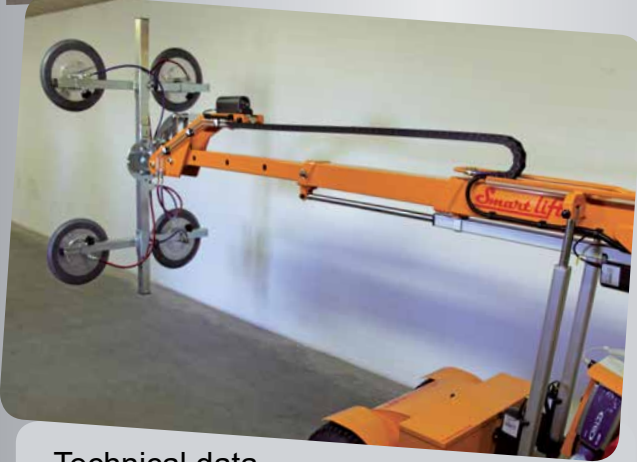


# SL 608 Outdoor High Lifter



## Technical data

| Description                                | Value                 |
|--|-----------------------|
| Weight                                     | 930 kg                |
| Height                                     | 1530 mm               |
| Width (min)                                | 840 mm                |
| Length (min)                               | 22850 mm              |
| Extension of arm                           | 700 + 900 mm          |
| Tip from horizontal                        | 40° back/100° forward |
| Speed regulation                           | Stepless high/low     |
| Sideshift                                  | 100 mm                |
| Vacuum system                              | 2 circuits            |
| Lifting height mounting                    | 4080 mm               |
| Charging voltage                           | 230 volt              |
| Integrated charger                         | Ctek XT 14000         |
| Charging time                              | Approx 8 hours        |
| Battery(2 x 12v) 24 volt                   | 2 x 105 A             |
| Running period                             | Approx 20 hours       |
| Front-wheel drive                          | 1200 Watt - AC        |
| Brake                                      | Elektronic            |
| Suction pads                               | 4 unit Ø 400 mm       |
| Lifting capacity arm in/extended (1600 mm) | 608 kg/150 kg         |

